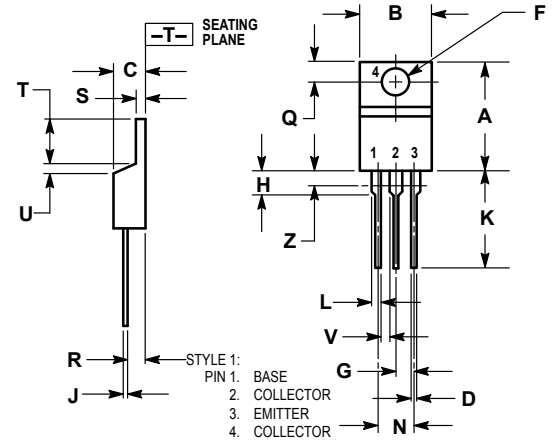
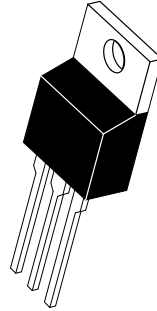


DESCRIPTION

Designed for RF power amplifier on HF band mobile radio applications. 14W output power class AB amplifier applications in HF band.

FEATURES

- Specified 12V, 27MHz Characteristics
- $P_o = 18W$
- $G_p = 12 \text{ dB min. at } 18 \text{ W/27 MHz}$
- Emitter ballasted construction



DIMENSIONS

| UNIT | A | B | C | D | F | G | H | J | K | L | N | Q | R | S | T | U | V | Z |
|--------|-------|-------|------|-------|-------|-------|-------|-------|-------|-------|-------|------|------|-------|-------|------|-------|------|
| mm | 15.75 | 10.28 | 4.82 | 0.88 | 3.73 | 2.66 | 3.93 | 0.64 | 14.27 | 1.52 | 5.33 | 3.04 | 2.79 | 1.39 | 6.47 | 1.27 | -- | 2.04 |
| | 14.48 | 9.66 | 4.07 | 0.64 | 3.61 | 2.42 | 2.8 | 0.46 | 12.70 | 1.15 | 4.83 | 2.54 | 2.04 | 1.15 | 5.97 | 0.00 | 1.15 | -- |
| inches | 0.620 | 0.405 | 0.19 | 0.035 | 0.147 | 0.105 | 0.155 | 0.025 | 0.562 | 0.060 | 0.210 | 0.12 | 0.11 | 0.055 | 0.255 | 0.05 | -- | 0.08 |
| | 0.570 | 0.380 | 0.16 | 0.025 | 0.142 | 0.095 | 0.110 | 0.018 | 0.500 | 0.045 | 0.190 | 0.10 | 0.08 | 0.045 | 0.235 | 0.00 | 0.045 | -- |

MAXIMUM RATINGS

| CHARACTERISTICS | SYMBOL | RATINGS | UNITS |
|-----------------------------|------------|------------|-------|
| Collector-Base Voltage | V_{CBO} | 60 | V |
| Collector-Emitter Voltage | V_{CES} | 60 | V |
| Collector-Emitter Voltage | V_{CEO} | 25 | V |
| Collector Current | I_C | 6 | A |
| Emitter-Base Voltage | V_{EBO} | 5 | V |
| Collector Power Dissipation | P_{DISS} | 20 | W |
| Junction Temperature | T_J | -65 to 175 | °C |
| Storage Temperature Range | T_{STG} | -65 to 175 | °C |

ELECTRICAL CHARACTERISTICS

| CHARACTERISTICS | SYMBOL | TEST CONDITIONS | MIN. | TYP. | MAX. | UNITS |
|-------------------------------------|---------------|---|------|------|------|-------|
| Collector-Emitter Breakdown Voltage | $V_{(BR)CEO}$ | $I_C = 10\text{mA}, I_B = 0$ | 25 | - | - | V |
| Collector-Emitter Breakdown Voltage | $V_{(BR)CES}$ | $I_C = 10\text{mA}, V_{EB} = 0$ | 60 | - | - | V |
| Emitter-Base Breakdown Voltage | $V_{(BR)EBO}$ | $I_E = 5\text{mA}, I_C = 0$ | 5 | - | - | V |
| Collector Cutoff Current | I_{CBO} | $V_{CB} = 30\text{V}, I_E = 0$ | | | 100 | uA |
| DC Current Gain | h_{FE} | $V_{CE} = 12\text{V}, I_C = 10\text{mA}$ | 10 | 50 | 180 | |
| Power Gain | G_p | $V_{CC} = 12\text{V}, P_{OUT} = 18\text{W}$ | 12.0 | - | - | dB |
| Collector Efficiency | η_C | $f = 27\text{MHz}, P_{IN} = 1\text{W}$ | 60 | 70 | - | % |

Note : Above parameters , ratings , limits and conditions are subject to change .